



PRODUCT DESCRIPTION:

The RedEarth SunRise is a fully engineered & assembled Australian unit, designed for internal or external plug and play installation. The SunRise stores your excess power generated from your rooftop solar providing additional power even after the sun sets, and will power your home during blackouts*. Already have solar panels?, we can work with that! We can retrofit to your existing system. The SunRise is also designed to be scalable, so start small and build a customised battery system ideal for your home.



The SunRise is a fully integrated plug & play energy storage solution to meet today's higher home energy consumption and reduces your power bill.



Online Monitoring Available

WARRANTY

- 10-year battery warranty
- 5-year SunRise warranty

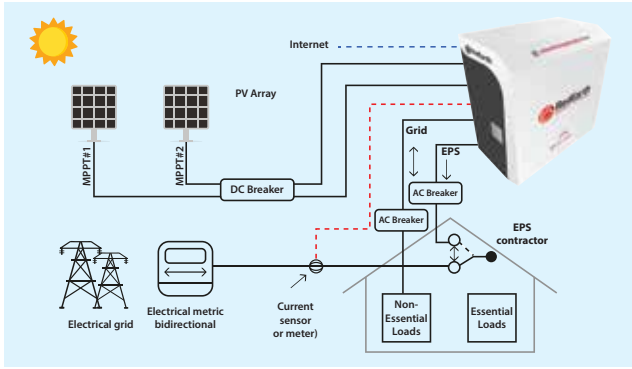
SunRise TECHNICAL SPECIFICATIONS:

Anti-islanding protection	Yes
Monitoring	PC & Mobile Depending on internet availability
Internal Cooling (fans)	3 - 4 Fans Passive and active cooling
Battery Sizing Options	0 - 26 kWh
Dimensions	1010H x 910W x 540D (mm)
Weight max	50 - 250 kgs (From 0 - 26 kWh of batteries)

SunRise ENCLOSURE

- Aluminium construction for improved weather protection.
- Forced Air cooling fans preventing heat build up
- AC/DC connection ready
- Integrated batteries, inverter & circuit protection.

* Amount of power provided depends upon the number of batteries purchased, and the user's power consumption requirements.



SMART LG LITHIUM-ION MODULE BATTERY

NOMINAL VOLTAGE DC

48v

Model	EM4863P3S7	EM048126P3S7
Energy	3.5 kWh	6.5 kWh
Nominal voltage	51.8 V	51.8 V
Voltage range	42.0 - 58.8 V	42.0 - 58.8 V
Max. short-circuit current	13.2	26
Max. batteries in parallel	4	4
Dimensions W x D x H	338.8mm x 445mm x 483mm	586.6mm x 445mm x 483mm
Weight (kgs)	26.5	44



X1-HYBRID READY INVERTER · SK-TL5000E

INPUT (DC)

Max. recommended DC Power [W]	5000
Max. DC Voltage [V]	550
Nominal DC operating voltage [V]	360
MPPT voltage range [V]	125-530
Max. input current [A]	12/12
Max. short circuit current [A]	15/15
No. of MPPT trackers	2
Strings per MPPT tracker	1

OUTPUT AC

AC Nominal Power (W)	4600
Nominal AC Voltage; Range (V);	230,180~270; 50/60
Frequency[Hz]	
AC Nominal Current (A)	20
Max. AC Current (A)	21.7
Total Harmonic Distortion (THD) [%]	<3
Power Factor (Rated Power)	1
Displacement power factor	0.8 leading to 0.8 lagging

EFFICIENCY

MPPT efficiency [%]	99.9
Euro efficiency [%]	97.0
Max. efficiency [%]	97.6
Standby Consumption [W]	<7

DISPLAY

LCD	Backlight 16*4 character
Communications	Ethernet/WiFi
Led light	4
Button	4

BATTERY CHARGER (INTERNAL)

Compatible Battery Type	Lithium battery
Nominal Battery Voltage [V]	48
Battery Voltage Range [V]	40-60
Max. Charging Current [A]	50 - 100 (Dependant on number of batteries)
Over Current Protection / Over Temperature Protection	Yes
Communication Interfaces	Can/RS232

OTHERS

Overvoltage Category	III (electric supply side), II (PV side)
EMC Category	IEC61000-6-1/2/3
Topology	Transformer-less
Certification	VDE 4105 / AS/NZS4777.2 / C10 11 / EN50438-NL / EN50438-DK / OVE/ONORME 8001/ G83,G59 / CEI 0-21

X-HYBRID INVERTER (EPS=EMERGENCY POWER SUPPLY)

EPS Rated Power	3kVA - 1 x batt. 5kVA 2 x batteries or more
EPS rated Voltage[V], Frequency [Hz]	230, 50/60
EPS Current	60Adc - 1 x batt. 100Adc 2 x Batteries or more
Total Harmonic Distortion (THD) [%]	<3
Switch Time [s]	<5

